

**TPR 281, Compact Pirani Gauge - PTR21950**[Similar Image](#)

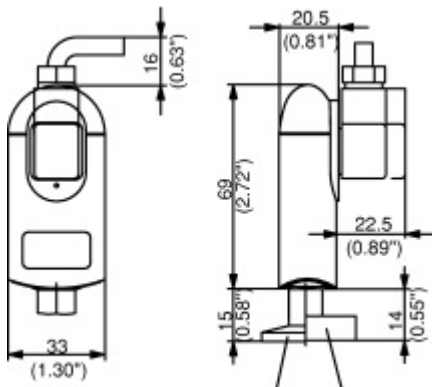
The maximum absolute pressure is valid for inert gases

**Technical Data**

Accuracy: $10^{-3}$ - $10^2$ mbar	+/- 15 %
Bakeout temperature	80 °C
Feature	for corrosive media
Feedthrough	Glass

Filament	Nickel
Flange	Stainless Steel
Flange (in)	DN 16 ISO-KF
Measurement range max.	1000 mbar
Measurement range min.	$5 \cdot 10^{-4}$ mbar
Output signal: Minimum load	10 kOhm
Output signal: Pressure range	2.2-8.5 V
Output signal: Sensor error below	0.5 V
Pressure max.	10 bar
Repeatability: $10^{-3}$ - $10^2$ mbar	+/- 2 %
Seal	Metal
Sensor cable length max.	200 m
Supply: Power consumption max.	1 W
Supply: Voltage	14-30 V DC
Temperature: Operating	+5 - +60 °C
Temperature: Storage	-20 - +65 °C
Volume	1.3 cm <sup>3</sup>
Weight	80 g

## Dimensions



DN 16 ISO-KF DN 16 CF-R

## Accessories

Centering ring, with Poral filter, FPM/Stainless Steel, DN 16 ISO-KF (PF117216-T)

Fine filter for TPR 265, pore dimension 0,0004 mm (PT120132-T)

Plug for Compact Gauge (B4707283MA)

Sensor cable AL, 3 m (PT448250-T)